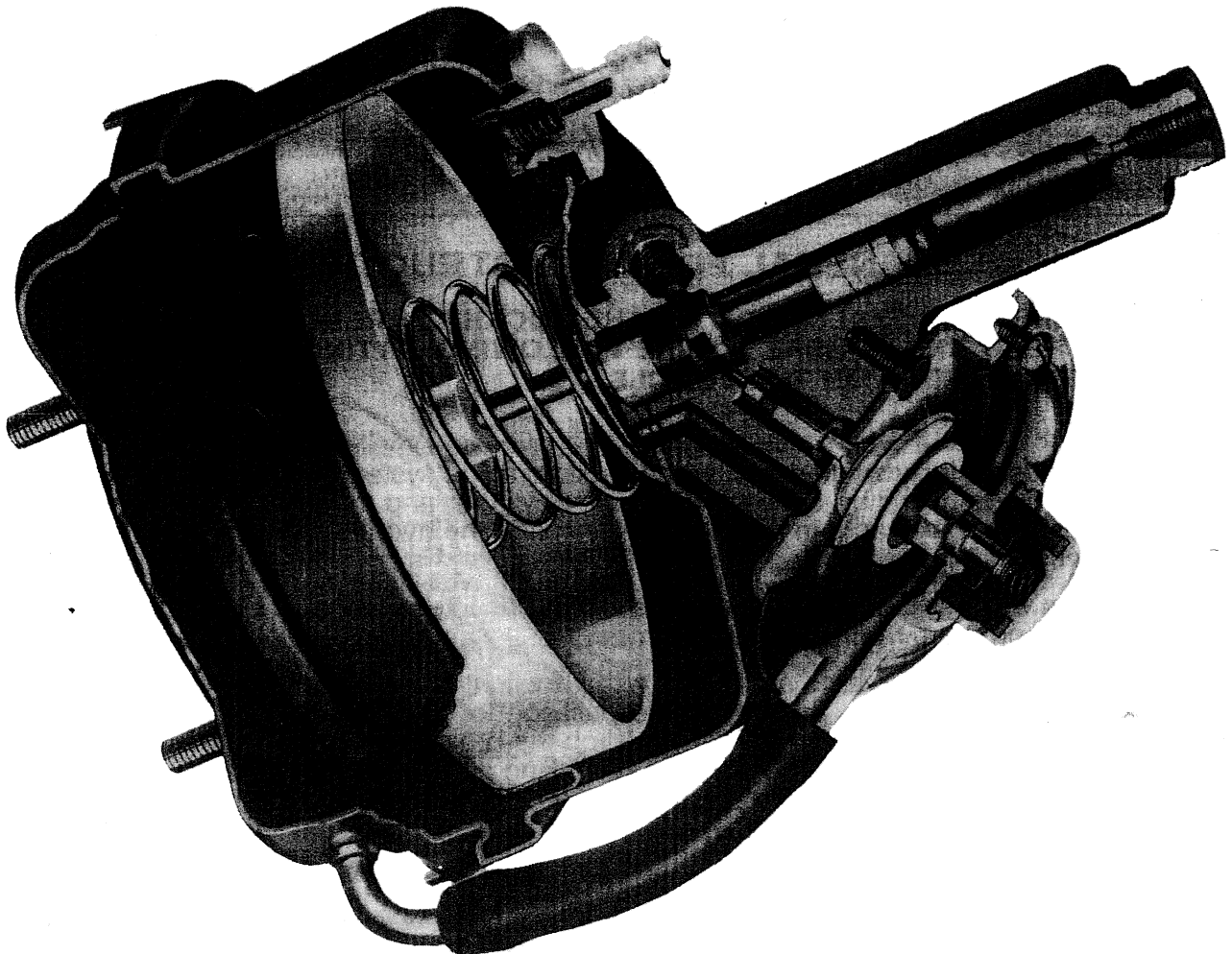




*fitting instructions for*

# **Remote Vacuum Servo Units Types 6 and 7**



**(For single line braking systems)**

A range of servo installation kits and servo units, with boost ratios to suit cars and light vans are detailed below. **Specific applications and interchangeability with obsolete Girling versions are listed on page 6.**

For vehicles not listed, advice on models not shown, or Technical assistance on installation or overhaul, please contact **Delphi Lockheed Service Technical Department.**

## Installation kits and servos

### Remote servo technical data

Installation kit no.	Servo part no.	Boost ratio	Slave cylinder bore	Reaction piston bore	Service repair kits		
					Major	Piston	Air valve
NLA	LR17812	1.65:1	7/8"	5/16"		-	LK11032
LE72696	LR17818	1.90:1	11/16"	5/16"	LK11073	-	LK11032
LE10117	LR18221	3.00:1	5/8"	5/16"	LK11062	-	LK11032
NLA	LR18230	4.25:1	5/8"	3/8"	LK11059	-	LK11032
NLA	LR18503NLA	4.50:1	5/8"	9/16"	LK11034	-	-
NLA	LR18504NLA	3.60:1	5/8"	1/2"	LK11033	-	-
NLA	LR17551NLA	3.00:1	5/8"	1/2"	LK12548	LK12565	-
NLA	LR17552NLA	3.00:1	5/8"	1/2"	LK12548	LK12565	-

## General fitting instructions

**To ensure correct installation of the Delphi Lockheed remote vacuum servo unit, thoroughly read and adhere to the fitting instructions prior to carrying out any work on the vehicle.**

### Introduction

The vacuum servo unit is incorporated into the hydraulic braking system, remote from the master cylinder, as an intermediate stage operating between the master cylinder and the brake assemblies. The two main parts of the servo unit consist of the vacuum servo mechanism and the hydraulic slave cylinder assembly. These component parts are bolted together so that the slave cylinder piston is in line with, and is operated directly by, the servo push rod.

A plastic non-return valve is fitted into the vacuum shell and an integral air cleaner is incorporated to prevent foreign matter entering the air control valve chamber.

The servo unit is designed to give no assistance with very light brake application. In the absence of servo assistance due to loss of vacuum, an unrestricted passage for the fluid will exist. The brakes can still be applied, therefore, by the normal action of the pedal on the brake master cylinder, but this would demand heavier foot pressure to achieve the same degree of braking as with servo assistance. When this servo unit is used to replace a non **Delphi Lockheed** servo or is installed on a vehicle previously without a servo, the following installation recommendations **must** be observed.

### Note:

**Not for use on vehicles with tandem or dual line braking systems except for specific applications where twin servo units are fitted. In this instance, units must be replaced in pairs to maintain the correct brake balance.**

### Important:

Fitting a brake servo unit will not make faulty brakes reliable. Any fault in the vehicle braking system **must** be rectified. **Therefore before fitting the new servo unit, ensure that the braking system is in good working order.**

**Note:**

- A. When changing brake parts the need for absolute cleanliness is essential. Therefore ensure that hands are free of grease and dirt. Always use fluff-free cloth or paper towelling for cleaning purposes.
- B. Ensure a sufficient quantity of **Delphi Lockheed DOT 4 brake & clutch fluid** is available for bleeding the braking system and topping up the reservoir. Where possible brake fluid should always be stored and dispensed from the original tin or bottle. Care must be taken to prevent both dirt entry and contamination especially in the mouth area of the master cylinder reservoir during this operation. **N.B. Delphi Lockheed do not recommend the use of silicone fluid in any Delphi Lockheed products.**

Prior to fitment of the brake servo unit or removal of an existing servo installation, thoroughly clean the outer surfaces of the unit (where applicable) and around all relevant hydraulic pipe connections using methylated spirit as a solvent. **Do not use petroleum based products for cleaning braking system components, i.e. petrol or paraffin.**

On the majority of vehicles a 3-way adaptor is used into which are coupled the supply pipe from the master cylinder outlet port and the pipes feeding both front and rear brake assemblies.

**Removing existing installation**

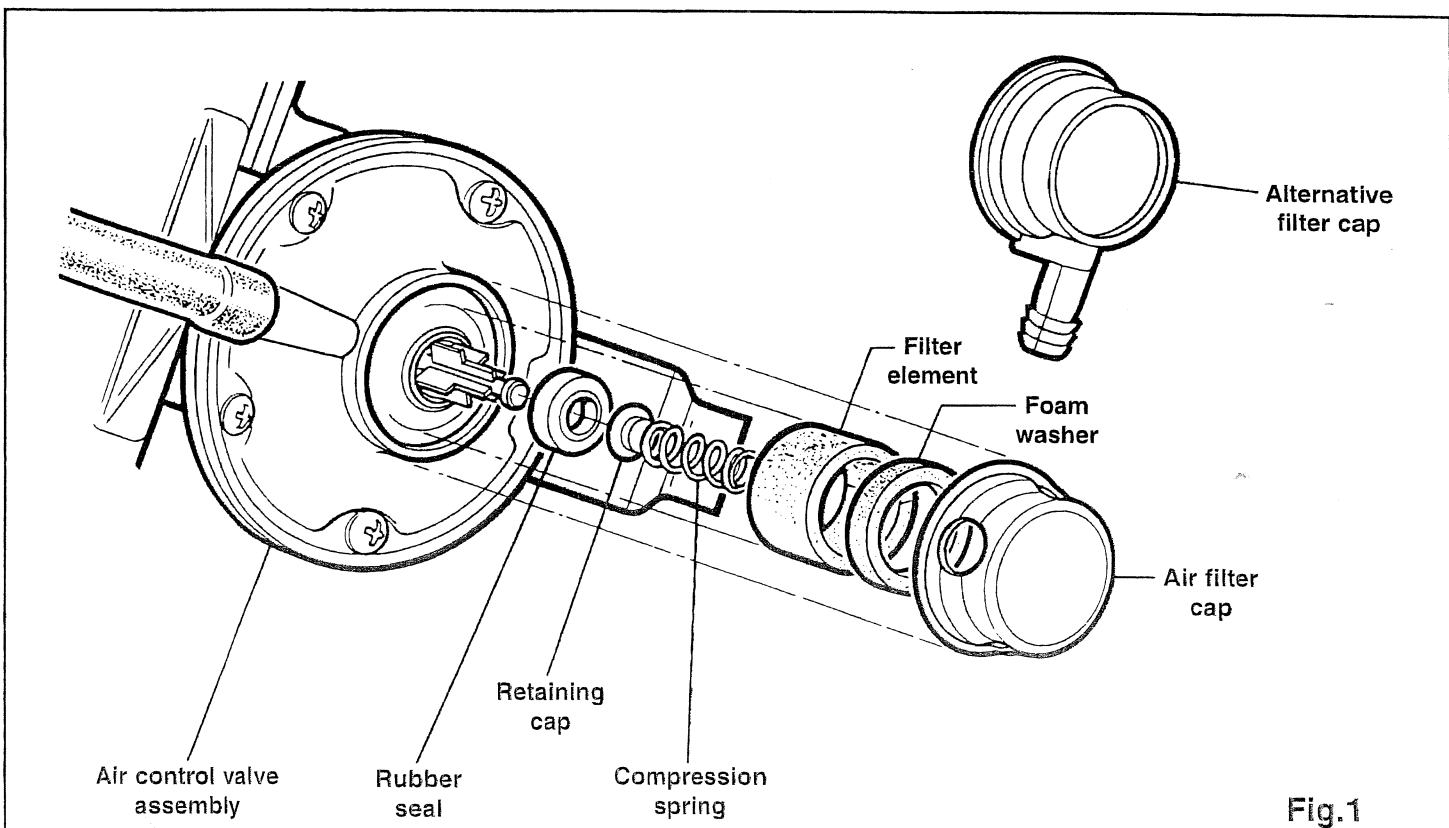
- 1. Disconnect the battery.
- 2. Disconnect and remove the vacuum hose pipe that connects the servo unit to the vacuum pump / manifold.
- 3. Disconnect, remove and discard the hydraulic feed pipe from the master cylinder outlet port to the 3-way adaptor. Seal off the hydraulic connection points to prevent loss of brake fluid and ingress of foreign matter.
- 4. Unbolt the existing servo unit together with any mounting brackets, where applicable, and remove from the vehicle.

**Note:**

Brake fluid is injurious to paintwork, therefore when removing the servo unit from the vehicle care should be taken to ensure that no fluid is spilt onto the painted surface of the bodywork. Should fluid spillage occur, wash off immediately with copious amounts of cold water.

The following general instructions for **Delphi Lockheed** remote servo installation kits are supplemented by recommendations on servo applications for popular vehicles. Obviously all vehicle types cannot be quoted, but by observing these instructions the installation kit can be used for the majority of vehicles with **single line braking systems**.

Where the hydraulic piping, supplied in the fitting kit, needs to be shortened it will be necessary to use a Bundy flaring tool to reform the pipe end.



**Fig.1**

## Location of new servo unit and brackets

1. It is essential that the servo unit is fitted to the integral body or chassis (i.e. **not to the engine**) thus preventing the brake pipes being subjected to vibration or flexing.
- 2a. It is an advantage to locate the servo within the engine compartment whenever possible to safeguard the unit and to keep the hydraulic pipe runs to a minimum length.
- 2b. Should it become necessary to fit the servo unit in an area on the vehicle prone to dirt, grit or water ingress e.g. under body wings, it is recommended that an extension hose be fitted to the air control valve inlet by carrying out the following modification, **prior to installation**.

### Method:

**Carefully** prise off the plastic air filter cap. Note components retained by the cap, which is a snap fit, may become dislodged during removal. Therefore care **must** be taken to prevent parts becoming lost or damaged. Extract the foam washer from within the existing air filter cap and replace. Fit the air filter cap to the air control valve ensuring that the rubber seal, seal retaining cap, compression spring and filter element are all correctly located. **(See Fig.1 for details)**. Connect one of the vacuum hoses from the kit to the inlet pipe on the filter cap, secure with clip provided. On installation, locate the other end of the vacuum hose in a suitable position away from dirt or grit.

3. Ensure the hydraulic slave cylinder is at least six inches away from any part of the vehicle exhaust system, otherwise fluid vaporisation from local heat could occur.
4. The servo unit need not be mounted below the level of the brake fluid reservoir, but keep the difference in height to a minimum.
5. With the aid of the mounting brackets and fixings provided in the kit install the servo unit with the hydraulic slave cylinder outlet port **inclined upwards between 25° and 45° from the horizontal plane**. **(See Fig.2)**. The air control valve should be situated **at least 30° below the centre line** to assist when bleeding the hydraulic system. **(See Fig.3)**.

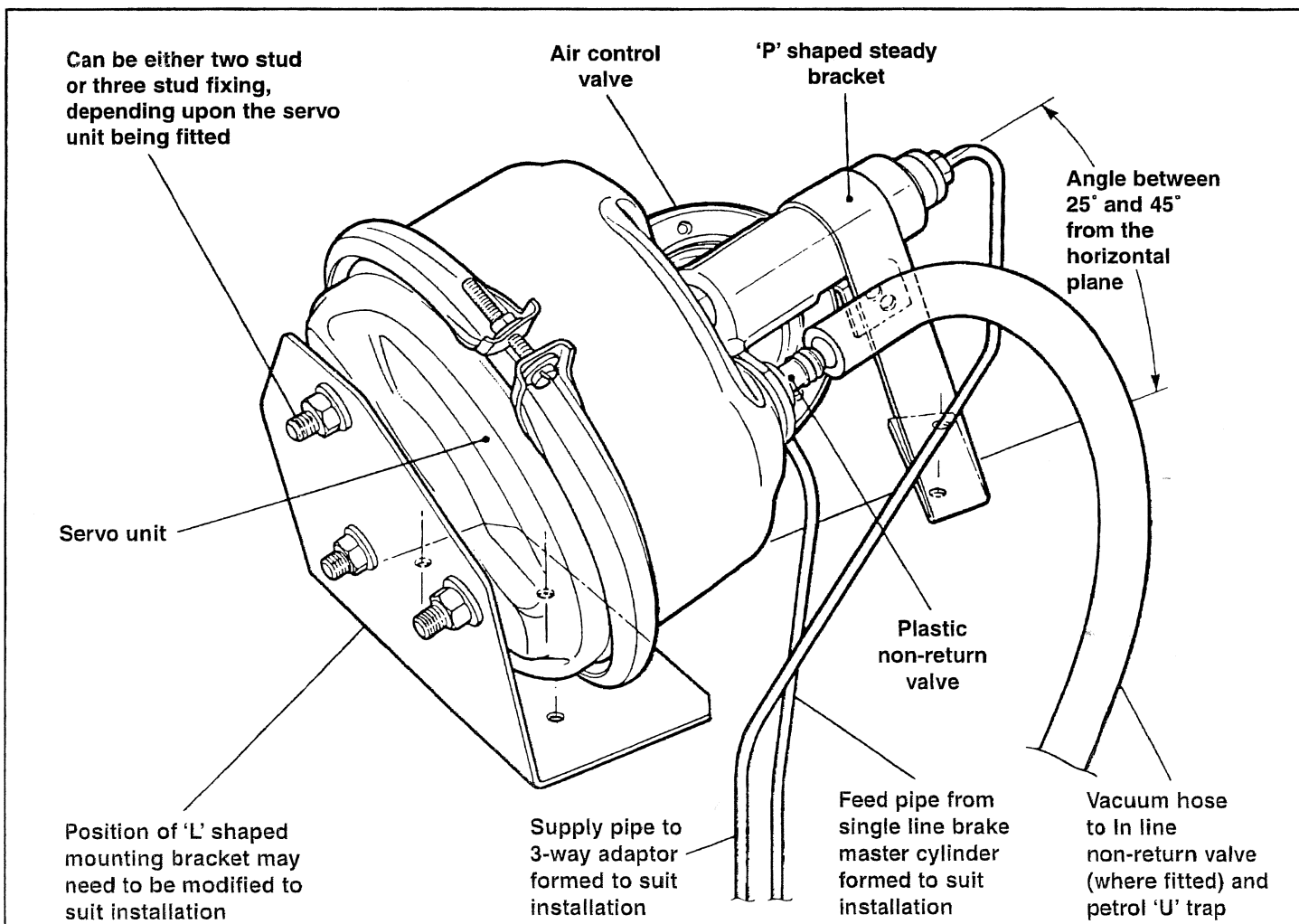


Fig 2

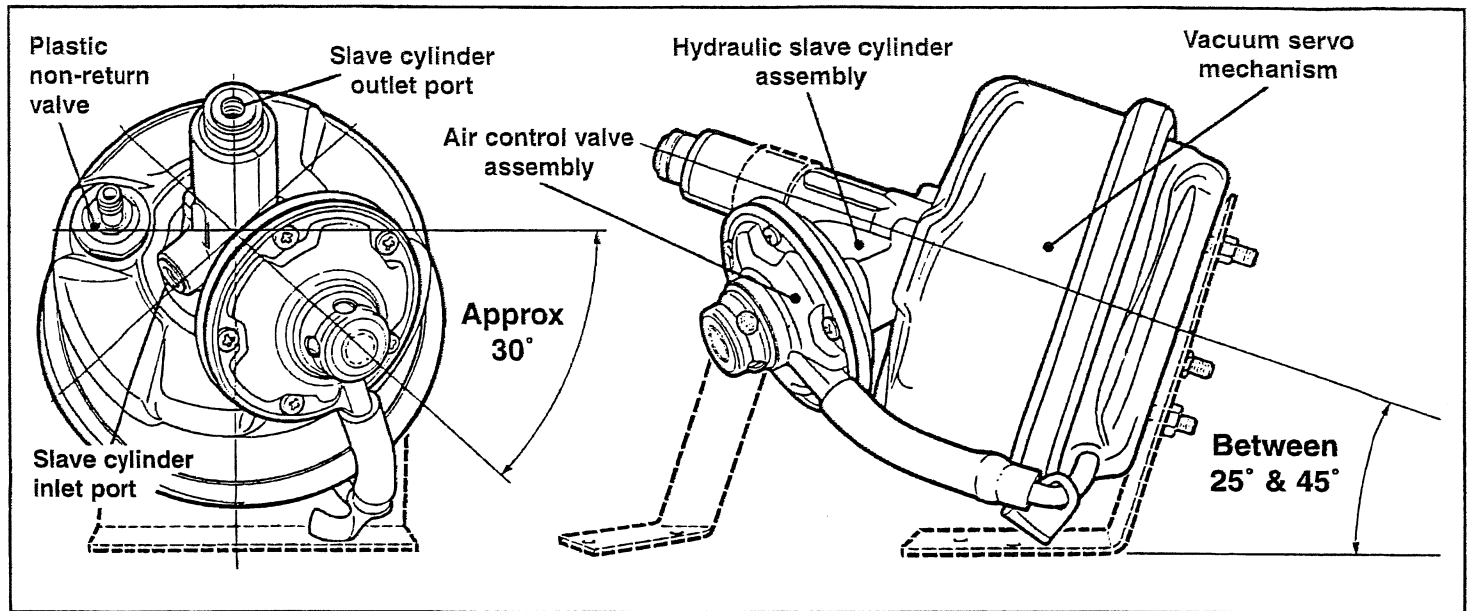


Fig.3

### Fitting hydraulic piping

With **all** relevant connection points clean and free from ingress of foreign matter, using the new Bundy piping supplied in the kit:

- a. Connect up the feed pipe from the brake master cylinder to the servo slave cylinder inlet port.
- b. Connect up the supply pipe from the servo slave cylinder outlet port to the 3-way adaptor.

When bending brake pipes to shape, **great care must be taken to avoid kinking**. The best way to obtain a good curve is to bend the pipes smoothly round a mandrel of suitable diameter. Using existing clips on the vehicle, ensure pipes are properly secured and cannot chafe or foul other components. Where a long length of piping is fitted e.g. from one side of the vehicle to the other via the bulkhead, secure the pipe to the bulkhead to avoid vibration. Additional pipe clips are available for use where necessary. On some vehicles where space is limited, it will be helpful to use banjo and bolt fittings in the tappings of the servo slave cylinder to avoid a severe bend in the brake pipe. (See Fig.4).

#### Note:

**No attempt should be made to cut and reflare existing brake pipes in situ, as problems could arise with contamination through ingress of foreign matter, i.e. swarf.**

### Vacuum hose, In line non-return valve (where fitted), and fittings

The servo unit must be connected via a vacuum hose, running from the plastic non-return valve located in the servo shell to a suitable vacuum source e.g. the engine induction manifold or vacuum pump. On some vehicles the manifold is already tapped and fitted with a removable plug, otherwise it will be necessary to drill and tap the manifold.

Three manifold adaptors are available, each with a different thread size to suit various applications.

These thread sizes are:-

1. **1/8" B.S.P. taper**. This is self-sealing and should be used when the manifold is not already tapped. Drill the top wall of the manifold 5/16" and tap with a 1/8" B.S.P. taper tap. The manifold should be removed from the engine for this operation.
2. **5/8" x 16 Whitworth thread**. (Use with a copper gasket).
3. **5/8" x 18 U.N.F. thread**. (Use with a copper gasket).

Fit the relevant adaptor (and the copper gasket if a 5/8" diameter adaptor is used) and attach the

In a convenient position, preferably at the highest point in the vacuum hose run, an In line non-return valve is advisable on high performance vehicles. Cut the hose and connect up the two sections to the valve unit, secure with hose clips supplied. Ensure that when fitted the arrow on the non-return valve is pointing towards the servo. (See Fig.4).

**Important:**

To protect the servo unit and non-return valve from fuel contamination, especially on a petrol engined vehicle, a 'U' trap must be formed in the vacuum hose route.

It is essential the vacuum hose inclines downwards from the servo and that the 'U' trap is formed below the level of the servo and the In line non-return valve (where fitted), i.e. by looping it between the inlet manifold and non-return valve so that point 'X' is lower than points 'Y' and 'Z' as shown (see Fig.4). Where the vacuum hose traverses the engine secure in position with plastic ties. Secure hose connection at the servo with the remaining hose clip.

**Bleeding and testing system**

1. Reconnect the battery.
2. Using new **Delphi Lockheed DOT 4 brake & clutch fluid** or fluid as recommended by the vehicle manufacturer (**conforming to SAE J1703 specification**) bleed the braking system in accordance with the appropriate vehicle manufacturer's workshop manual. With the system properly bled, firm resistance should be felt at the brake pedal, if difficulty is experienced in achieving a "good bleed", then the bleeding process will be assisted by "cracking open" the brake pipe tube nut at the servo outlet connection whilst depressing the brake pedal. Surround this connection with clean "fluff free" cloth to capture escaping brake fluid. When the pedal is fully depressed retighten tube nut, repeat this process several times if necessary. When completed, "top up" the fluid reservoir to the correct level.
3. Start the engine and apply the brakes several times. Whilst an assistant depresses the brake pedal, re-check for fluid leaks particularly where new connections have been made. Road test the vehicle, and finally check again for fluid leaks.

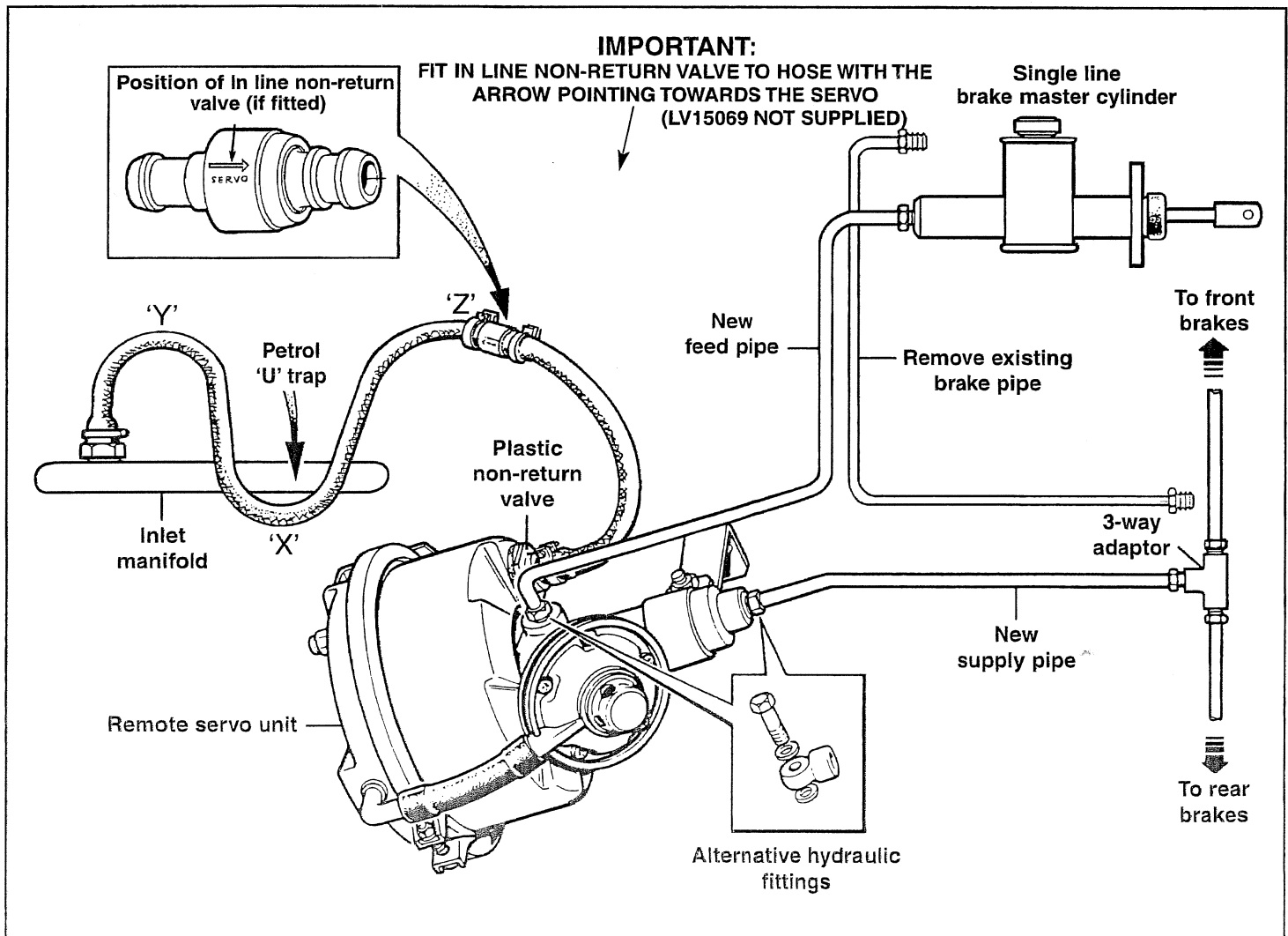


Fig 4. Schematic layout of brake servo unit and

# General application guide for remote servo assemblies

Vehicle application	Installation kit / servo	Vehicle application	Installation kit / servo
<b>ALFA ROMEO</b> 1750 Berlina GT, Saloon, Spider Veloce & Coupé GT. Veloce A12 & F12 Commercial	LE10117	<b>MG</b> MGA (All models) MGB & MGB-GT. MG 1100 M.G. Midget Mks. I, II & III  <b>ROVER</b> 2000 P6 from chassis Suffix C 2200  <b>TALBOT (Hillman, Singer)</b> Hillman Imp Mks. I & II, Californian Hillman Minx (All models) Singer Chamois Mks. I & II, Coupé  <b>TRIUMPH</b> Triumph Herald (All models) Triumph 1300 Saloon Triumph Toledo Saloon Triumph TR3 Triumph TR4 & TR4A Roadster & Coupé  Triumph Spitfire Mks. II, III & IV Triumph GT6, Mks. I, II & III	LE72696 LR17812 LE72696 LE72696 or LR17814
<b>ALVIS</b> 3-litre (Drum brakes only)	LE10117		
<b>ASTON MARTIN</b> 4-litre DB5 Spts. Saloon & Volanté (with twin servos fitted) Front Rear Lagonda 2.1/2-litre Mks. I & II and 3 litre (Except where servo is already fitted)	LR18230 LR17818 LE10117		
<b>AUSTIN / MORRIS</b> Austin Healey Sprite Mks. I, II, III & IV  Austin Healey 2.4 C Type, D Type & 3000 Austin A30, A35, A40 Mk.II Austin / Morris 1100, 1300, (including all variants) Mini 850 & 1000, Countryman, Clubman (including all variants) Mini-Cooper Mks. I & II Mini-Cooper 'S' Morris Minor (All models) Morris Oxford 'Farina' series V & VI (All models)	LE72696  LR17814 LE10117 LE72696 LE72696 LE72696 LE72696		
<b>BEDFORD</b> CA, HC, JC & PC Vans	LE72696		
<b>BRISTOL</b> 400, 401, 402, 403 & 405 (Drum brakes only)	LE10117		
<b>DENNIS</b> F.D.4 Ambulance	LE10117		
<b>FORD</b> Anglia 105E, Super 123E Capri 1300 & 1600 up to Sept '70 (excluding 1600 GT. version) Cortina 1200, 1300, 1500 & 1600 Mks. I & II Escort 1100 & 1300 Mk. I	LE72696 LE72696  LE72696 LE72696		
<b>JAGUAR</b> XK. 12 Mks. I & II XK. 120c XK. 140 XK. 150	LE10117		Single systems only
			<b>GIRLING (Interchangeability)</b>
		Application	Girling part no.
		Application	AP Lockheed part no.
		Austin & Morris 1800 Austin Healey 3000 Aston Martin Ford Corsair 120E Girling Power Stop Kits	64049354 64049126 64049460 64049408 64949023 64949077
		Land Rover S.W.B. Lotus Elan F.H. Coupé +2 Lotus Elan + Sprint MGC Morgan Plus Eight Sports 2-str.	- 64049354 64049178 64049354 64049330 64949000
		Rover 80, 95, 100 (P4)	64049126 LE10117

